



Application: Air, Gas, Water, Hot Water, Oil, Liquid

Features:

- Normally Closed (Normally Open: option)
- Pilot operated type for the size from 3/8" to 2"
(Direct operated for size 1/8", 1/4")
- Forged brass body (Stainless steel body: option)
- Available voltage: DC: 12VDC, 24VDC
AC: 24VAC, 110VAC, 220VAC
- Connection: Thread (Flange: option)
- Protection class: IP65
- Option: Explosion-proof Coil

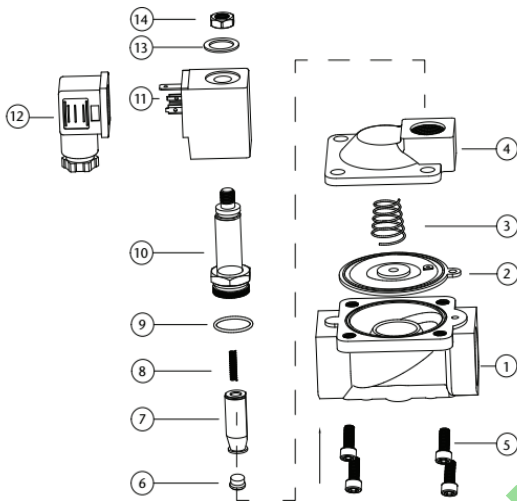


PLP-__



PLP-__S1

Component and material



1	Valve body	Brass / Stainless Steel 316
2	Diaphragm	NBR/ EPDM/ VITON
3	Diaphragm spring	Stainless Steel 304
4	Valve cover	Brass / Stainless Steel 316
5	Bolt	Stainless Steel 302
6	Pilot seal	NBR/ EPDM/ VITON
7	Pilot	Stainless Steel 1J117
8	Pilot spring	Stainless Steel 304
9	O-ring	NBR/ EPDM/ VITON
10	Plunger tube unit	Stainless Steel 304 + 1J117
11	Coil	Enamelled wire
12	Plug	Nylon
13	Washer	Stainless Steel 302
14	Lock nut	Stainless Steel 302

Model and Specification

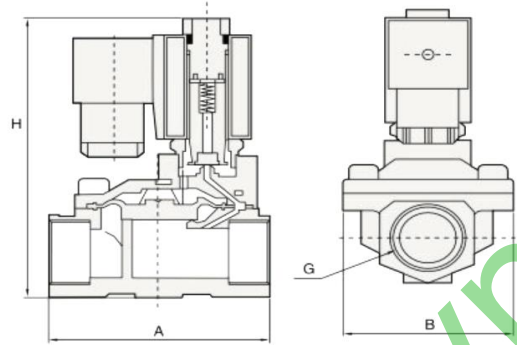
Model	Brass	PLP-06	PLP-08	PLP-10	PLP-15	PLP-20	PLP-25	PLP-35	PLP-40	PLP-50
	S.Steel	PLP-06S1	PLP-08S1	PLP-10S1	PLP-15S1	PLP-20S1	PLP-25S1	PLP-35S1	PLP-40S1	PLP-50S1
Flowrate		3	3	10.5	13	20	25	35	40	50
Cv		0.23	0.23	1.68	4.5	7.6	12	22	30	48
Size (G thread)		1/8"	1/4"	3/8"	1/2"	3/4"	1"	1-1/4"	1-1/2"	2"
Working pressure		0 - 13 bar			0.5 - 13 bar					
Working temperature		Max. working temperature for media: NBR @ 50°C; EPDM @ 130°C; VITON @ 120°C								
		Environment temperature: 0°C ~ 65°C								
Operated type		Direct			Diaphragm					
Response time		Opening time: 500 ~ 1000 ms / Closing time: 500 ~ 1000 ms								
Max. allowable press.		16 bar								

Remark: The medium viscosity should be 20 cSt or less



Overall dimension

MODEL	A	B	H
PLP-06 / PLP-06S1	41	29	83
PLP-08 / PLP-08S1	41	29	83
PLP-10 / PLP-10S1	66	48	112
PLP-15 / PLP-15S1	66	48	112
PLP-20 / PLP-20S1	75	58	118
PLP-25 / PLP-25S1	96	70	131
PLP-35 / PLP-35S1	131	96	146
PLP-40 / PLP-40S1	131	96	146
PLP-50 / PLP-50S1	165	120	167



How to order

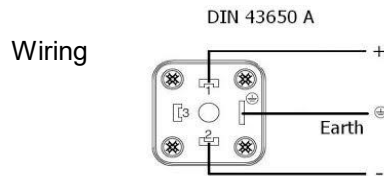
PLP	<input type="text"/>	---	<input type="text"/>	---	<input type="text"/>	---	<input type="text"/>	---	<input type="text"/>	---	<input type="text"/>
Series	Port size		Seal material		Voltage		Orifice (mm)		Valve body		Type
PLP	06 - 1/8"		Blank: NBR		E1: AC110V		3L: 3		Blank: Brass		Blank: Normally Closed
	08 - 1/4"		V: VITON		E2: AC220V		4L: 4		S1: SS316		H: Normally Open
	10 - 3/8"		E: EPDM		E3: AC380V		10.5L: 10.5				
	15 - 1/2"				E4: DC24V		13L: 13				
	20 - 3/4"				E5: DC12V		20L: 20				
	25 - 1"				E6: AC36V		25L: 25				
	35 - 1-1/4"				E7: AC24V		35L: 35				
	40 - 1-1/2"				E8: DC110V		40L: 40				
	50 - 2"				E10: DC36V		50L: 50				

Coil and Connector

Coil model	PLPC (IP65)
PLPC-E1	AC110V
PLPC-E2	AC220V
PLPC-E3	AC380V
PLPC-E4	DC24V
PLPC-E5	DC12V
PLPC-E6	AC36V
PLPC-E7	AC24V
PLPC-E8	DC110V
PLPC-E9	DC48V
PLPC-E10	DC36V



DIN Connector model (IP65)	DIN 43650 A
NORM.	300.11.00
LED 24V	300.11.01L
LED 110V	300.11.02L
LED 220V	300.11.03L



PLPT Timer

Supply Voltage	24-240V AC/DC - 50/60Hz
Absorption	4mA Max
Operating temperature	-10°C ~ +50°C
Class Protection	IP65 - EN60529
Switch Holding Voltage	400V Max
Switch Capacity	1A
Inrush Current	10A for 10ms
Duty Cycle	100% ED
Switch Lift	3-10 ²
Repeat Accuracy	± 1%
Timing Temperature Coefficient	± 0.005%
Time ON / Time OFF	0.5 to 10s / 30s to 45min
Set / Reset / Test	Membrane Key
Circuit	UL94VO
Indicators	Green LED - Valve Open / Red LED - Valve Closed
Manual Override	Test
Color	Black

